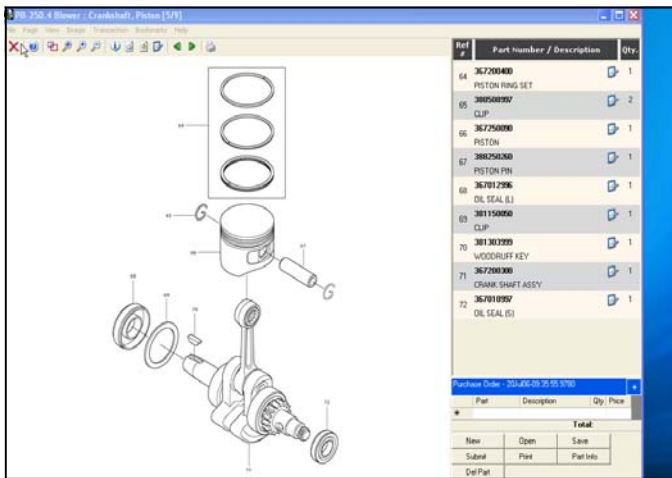


DOLMAR Power Products & PARTSMART®

The best way to look up Parts!

AVAILABLE NOW! ORDER BY SEPTEMBER 30, AND SAVE \$12!
SPECIAL INTRODUCTORY OFFER . . . 1ST YEAR ONLY \$60 (normally \$72 per year)



Using PartSmart, you can:

- Access up-to-date parts and service information for DOLMAR'S complete line of power products for grounds care, forestry, agriculture, utility, construction and industrial applications
- View your dealership's inventory & parts pricing
- Search by part number, model number and/or description.
- Easily look up parts using hotspotted diagrams.
- Build a picklist of parts.
- Integrate picklist & part information with over 85 business management systems.

"Our selection of ARI was based on ARI's strong presence and reputation in the Outdoor Power Industry. Since many of our dealers are already using PartSmart for other lines they carry, we're confident that they will welcome the opportunity to add DOLMAR."
 Trey Brown, Sales Manager, DOLMAR Power Products

To reserve/order the DOLMAR catalog, complete the form below and fax to (414) 973-4618 or call 1-800-755-6040. Mention code DOL0706

Customer #		Dealership Name		DOL0706
Name				
Address			State	
City			Zip	
Telephone #	Fax#	Email:		
Payment Method	<input type="checkbox"/> C.O.D. <input type="checkbox"/> American Express <input type="checkbox"/> Discover <input type="checkbox"/> MasterCard <input type="checkbox"/> Visa <input type="checkbox"/> Check/Money Order Card # _____ Exp. Date _____			
If you would prefer not to receive future promotional announcements, please sign below and fax to us at 414.973.4357 Signature _____ Company Name _____				

*Additional charges for NEW PARTSMART CUSTOMERS

License & Maintenance: \$276.00/year
 SmartStart Setup: \$59.95 (one time charge includes Training CD and orientation with ARI technical support)