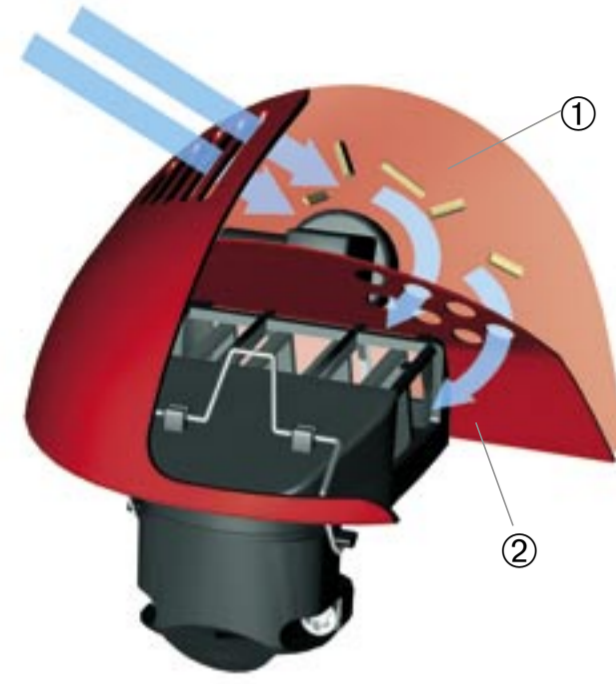


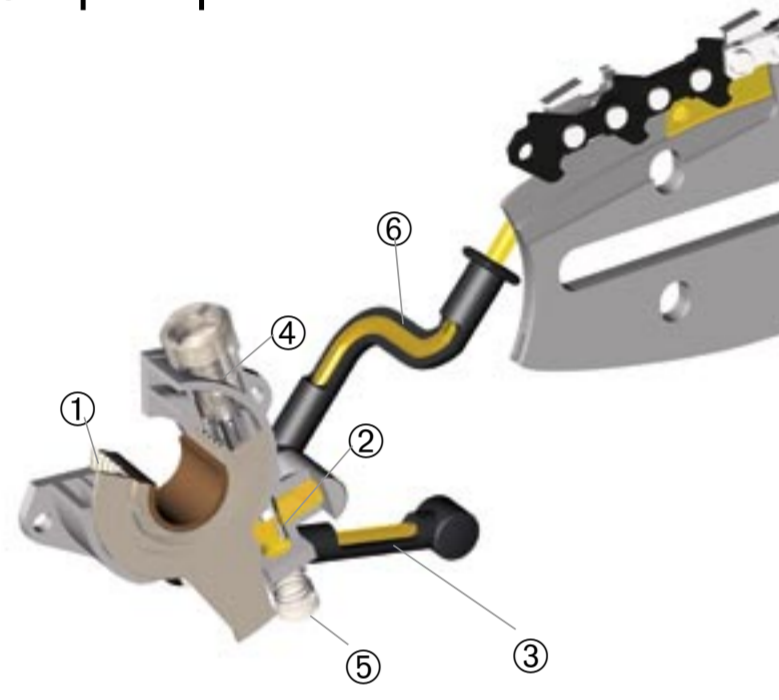
Chainsaw DOLMAR PS-7900

Airmaster air filter system



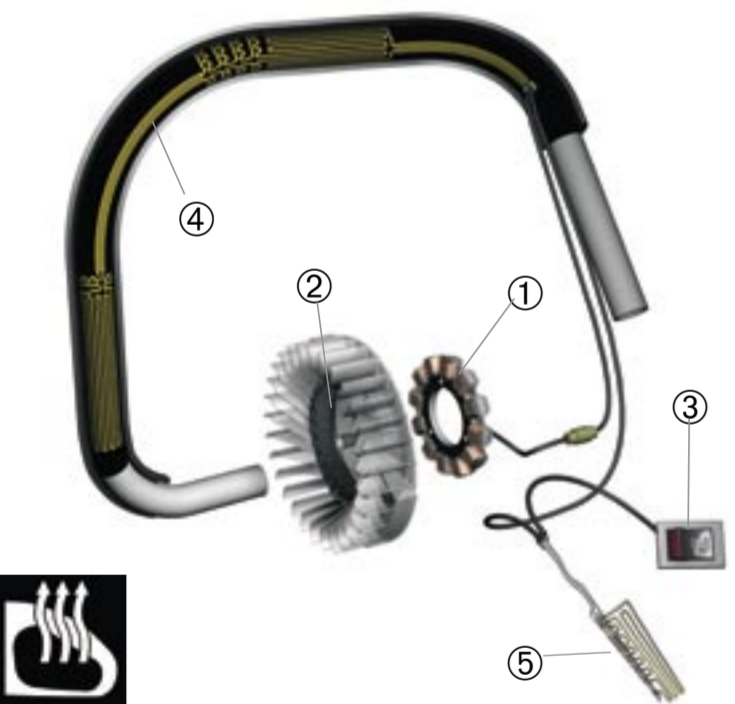
The maintenance friendly airfilter system retains the coarse particles in chamber ① and only the very fine particles access the airfilter chamber

Oil pump



① Worm gear ② Oil pump piston ③ Suction line oil ④ Bearing Ball ⑤ Adjustment screw ⑥ Pressure oil line

Electric heated handle



① Generator coil ② Flywheel with magnets ③ Switch for handle heating ④ Heating foil in tubular handle ⑤ Heating foil in rear handle

Electronic Ignition



① Ignition coil ② Flywheel magnets ③ ON/OFF switch ④ Digital Ignition

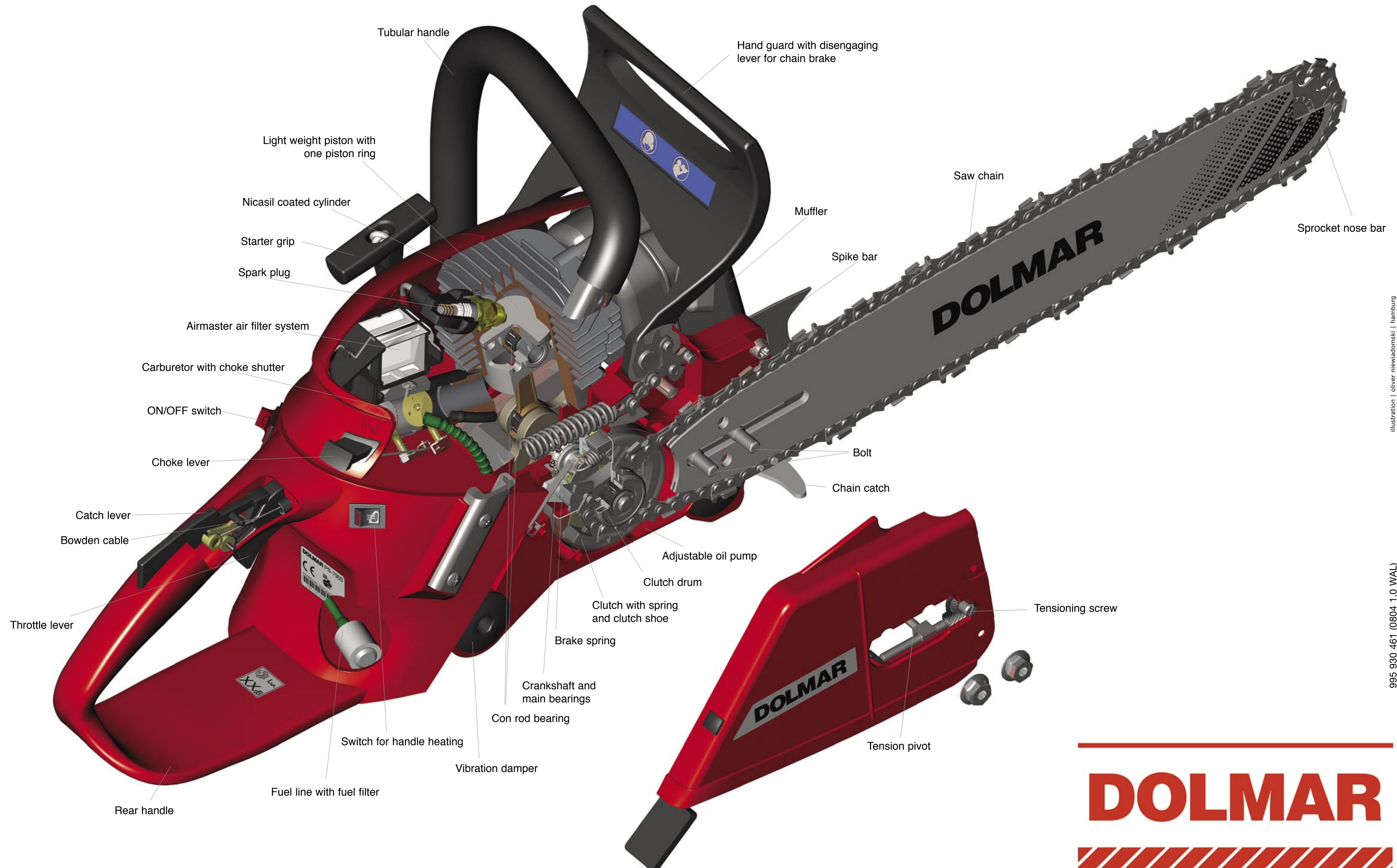


Illustration | oliver.niewiadomski | hamburg

995 930 461 (0804 1.0 WAL)

DOLMAR



www.dolmar.com

DOLMAR GmbH · Jenfelder Str. 38 · 22045 Hamburg · Germany